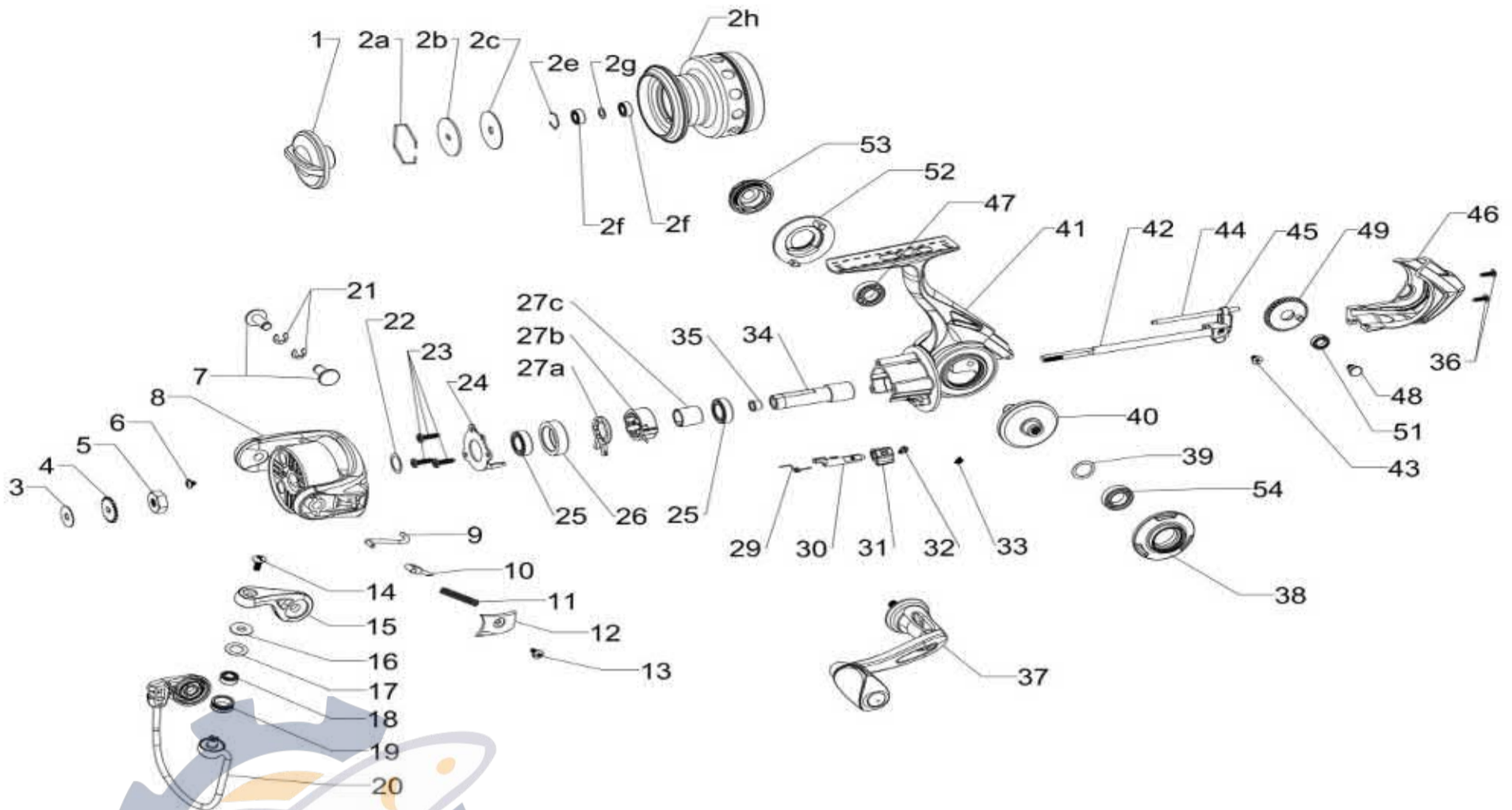


# QUANTUM

## DR10



### Quantum DR10 Part List

Key No.	Description	Part No.	Qty	Key No.	Description	Part No.	Qty
		DR10				DR10	
1	Drag Knob Assembly	SAD332-01	1	26	Clutch Bearing Adapter	SAD190-01	1
2	Spool Assembly	ZAE321-01	1	27	One way clutch kit include	SAD363-02	1
2a	Retainer Ring	SAD038-01	1	27a	One Way Clutch lever	BAA064-02	1
2b	Drag Washer "D"	SAD080-01	2	27b	One Way Clutch	BAA063-01	1
2c	Drag Washer "B"	SAD035-01	3	27c	Sleeve	SAD139-02	1
2e	Retainer Ring	AA105-01	1	29	Stopper Cam spring	SAD089-01	1
2f	Spool Ball Bearing 4*7*2	ZAE158-01	2	30	Stopper Cam	SAD090-01	1
2g	WASHER	SAD076-01	1	31	Stopper Lever	BAA059-02	1
2h	Spool	ZAE021-01	1	32	Stopper Lever Screw	BAA135-01	4
3	Spool Adjust Washer	SAD039-02	1	33	Clutch spring	TAD216-01	1
4	Clicker Gear	ZAE037-01	1	34	Pinion Gear	SAD011-01	1
5	Rotor Nut	SAD006-01	1	35	Pinion Bushing	AA014-01	1
6	Rotor Nut Lock Screw	BAA094-01	1	36	Rear Cap Screw	BAA135-01	2
7	Arm Lever Screw	SAD042-01	2	37	Handle Assembly	SAD318-02	1
8	Rotor	SAD009-02	1	38	Body Side Ring	ZAE142-01	1
9	Kick Lever	SAD019-01	1	39	Drive Gear Adjust Washer	BAA105-02	1
10	Bail Actuator	SAD031-01	1	40	Drive Gear Assembly	SAD012-01	1
11	Bail Spring	SAD022-01	1	41	Body	ZAE001-01	1
12	Arm Lever Cover	SAD087-02	1	42	Main Shaft	SAD015-01	1
13	Arm Lever Cover Screw	TAD077-01	1	43	Main Shaft Screw	BAA100-01	1
14	Line Roller Screw	BAA108-01	1	44	O/S Guide Pin	SAD093-01	1
15	Arm Lever	SAD007-01	1	45	O/S Slider	SAD025-01	1
16	Line Roller Collar	CAA102-01	1	46	Body Rear Cap	ZAE140-01	1
17	Line Roller Washer	BAA102-01	1	47	Body Ball Bearing7*14*3.5	AAA028-01	1
18	Line Roller Ball Bearing4*8*3	GH202-01	1	48	O/S Gear Pin	SAD062-01	1
19	Line Roller	BAA004-01	1	49	O/S Gear	SAD053-01	1
20	Bailwire Assembly	SAD347-02	1	51	O/S Gear Bearing	ZAE158-01	1
21	"E" clip	AA034-01	2	52	Body Trim Ring	ZAE145-01	2
22	Rotor Adjust Washer	AAA105-03	1	53	Handle Cap	TAD054-01	1
23	Bearing Retainer Screw	AAA057-01	3	54	Body Ball Bearing8*14*4	CAA157-01	1
24	Bearing Retainer	ZAE040-01	1				
25	Pinion Ball Bearing7*14*3.5	AAA028-03	2				